

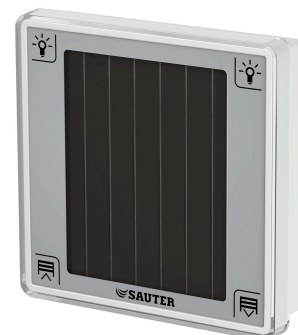
## EY-SU 106: Push-button unit for EnOcean room operating unit, ecoUnit106

### How energy efficiency is improved

Control of lights and window blinds for energy optimisation in the room

### Features

- Part of the SAUTER modulo system family
- Integrated solar cell for additional solar panel supply of ecoUnit 1 EnOcean devices
- Push-button unit to supplement the ecoUnit14\* room operating unit
- Control of window blinds and lighting (on/off, dim)
- Up to six button functions
- Device insert with transparent front, fits into frame with 55 x 55 mm aperture
- Frame can be ordered as an accessory
- Frames and foils in many colours and designs possible



EY-SU106F100

### Technical data

Power supply		
	Power supply <sup>1)</sup>	Not required
Parameters		
Connection	Line	4-wire
	Length <sup>2)</sup>	≤ 1 m
Ambient conditions		
	Operating temperature	0...45 °C
	Storage and transport temperature	-25...70 °C
	Ambient humidity	10...85% rh, no condensation
Construction		
	Fitting	Recessed/surface-mounted (see accessories)
	Dimensions W x H x D	59.5 × 59.5 × 27.8 mm
	Weight	0.047 kg
Standards and directives		
	Type of protection	IP30 (EN 60529)
	Protection class	III (EN 60730-1)
	Environment class	3K3 (IEC 60721)
CE conformity according to	EMC Directive 2014/30/EU	EN 61000-6-1, EN 61000-6-3
	RoHS Directive 2011/65/EU	EN 50581

### Overview of types

Type	Features
EY-SU106F100	Push-button unit with up to 6 button functions, integrated solar cell

### Accessories

Type	Description
0940240***	For frames, mounting plates and adapters for third-party frames, see product data sheet 94.055
0949241301	Transparent cover for EY-RU and EY-SU, 10 pcs.
0949360004	Push-in terminal RU/SU (for wire), 2 × 10 pcs. 2-pin (01/02, 03/04)
0940360012	Screw terminal RU/SU (optional for braid), 2 × 10 pcs. 2-pin (01/02, 03/04)
0940001541	Labelling insert, foil, silver, (symbols: two lights, two window blinds), 10 pcs.
0940001542	Labelling insert, foil, silver, (symbols: two lights), 10 pcs.
0940001543	Labelling insert, foil, silver, (symbols: two window blinds), 10 pcs.

<sup>1)</sup> The power supply is provided by the connected device (ecoUnit14\* or ecoUnit110)

<sup>2)</sup> See connection diagram



### Description of operation

Button activations on the ecoUnit106 are transmitted by the connected ecoUnit14\* room operating unit to the room automation station by means of an EnOcean wireless telegram. A transmission command is executed both when a button is pressed and when it is released.

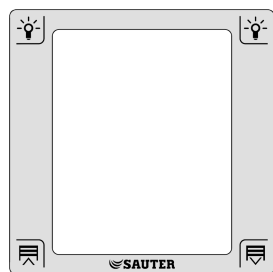
### Intended use

This product is only suitable for the purpose intended by the manufacturer, as described in the "Description of operation" section.

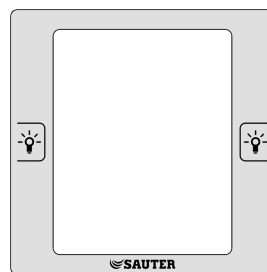
All related product regulations must also be adhered to. Changing or converting the product is not admissible.

### Labelling inserts

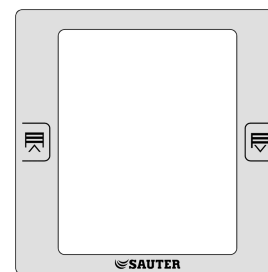
The scope of delivery includes one of each of the following labelling inserts:



0940001541



0940001542



0940001543

The labelling inserts can each be ordered in packs of 10.

### Engineering and fitting notes

The ecoUnit106 push-button unit is suitable for various fitting methods. Product data sheet 94.055 shows the fitting options and available frames, as well as other accessories.

The push-button unit is compatible with the ecoUnit14\* room operating unit and the ecoUnit110 room sensor.

The push-button unit is connected to a room operating unit or a room sensor with a 4-core connection and can only ever be used in conjunction with one of these devices, as a push-button extension or only a solar panel extension. The total cable length between the connected devices must not exceed one metre.

Detailed information on EnOcean wireless technology can be found in the manual "Engineering with EnOcean wireless technology".

### Additional technical documents

Document/name	
Fitting instructions	P100013605
Declaration on materials and the environment	MD 94.026
Product data sheet "Frame for device insert"	PDS 94.055
Manual "Engineering with EnOcean wireless technology" (SAUTER EnOcean application notes)	7010084001, see SAUTER extranet
ROOM_UNIT function module	Online help for CASE Suite/Engine

### Areas of use

The ecoUnit106 push-button unit is used in conjunction with the ecoUnit14\* room operating unit to control lights, window blinds etc. via the ecos 5 and ecos311 communicative controllers or the modulo 6 automation stations.

With the integrated solar cell, ecoUnit106 also acts as an additional power supply for the ecoUnit146 room operating unit or the ecoUnit110 room sensor (without button function).

### Device function and addressing

The button signals are provided via the ROOM\_UNIT function module for further processing in the controller.

The unit can only be operated in conjunction with ecoUnit14\* or ecoUnit110. Device addressing is therefore not required.

Further information can be found in the product data sheets of the ecoUnit14\* and ecoUnit110 devices.

### Energy supply and selecting the place of installation

The push-button unit itself does not require any energy.

The solar panel is large enough to supply additional energy to the ecoUnit14\* room operating unit or the ecoUnit110 room sensor when light conditions are poor. Therefore, the minimum illuminance or minimum illumination time for the room operating unit or room sensor can be halved.

The device should ideally be installed so that the solar panel faces the window. However, direct solar radiation should be avoided. Direct solar radiation over a lengthy period can permanently reduce the effectiveness of the built-in solar panel.

Walls and niches that are not sufficiently illuminated during the day should be avoided. The place of installation should also be selected based on the future use of the room, ensuring that shadowing caused by users is avoided, e.g. via items of furniture or office materials.

### Rooms with insufficient daylight

For power supply in rooms with insufficient daylight, the ecoUnit 1 devices can also be supplied with power via the battery of the ecoUnit110/146.

### Compatibility

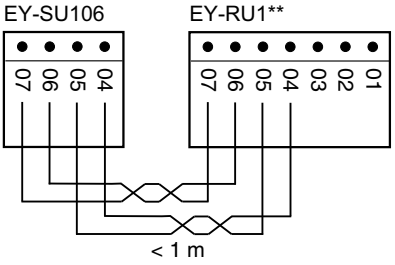
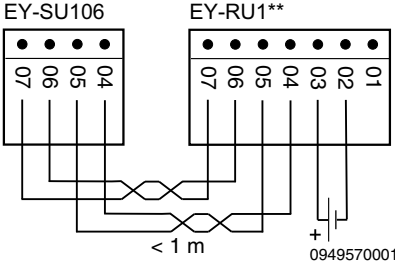
The ecoUnit106 (EY-SU106F100) push-button unit is compatible with the ecoUnit110...146 (F100) and ecoUnit110/146 (F201) devices.

### Disposal

When disposing of the product, observe the currently applicable local laws.

More information on materials can be found in the Declaration on materials and the environment for this product.

### Connection diagram

Connection with room operating unit/room sensor	Terminal	Description
	01	Not used
	02	- Battery (GND)
	03	+ Battery (typ. 3 V)
	04/05	Solar panel
	06/07	Push-button function
Connection with room operating unit/room sensor, with battery		
		

Note



Use only battery from accessory 0949570001.

**Dimension drawing**

All dimensions in millimetres.

