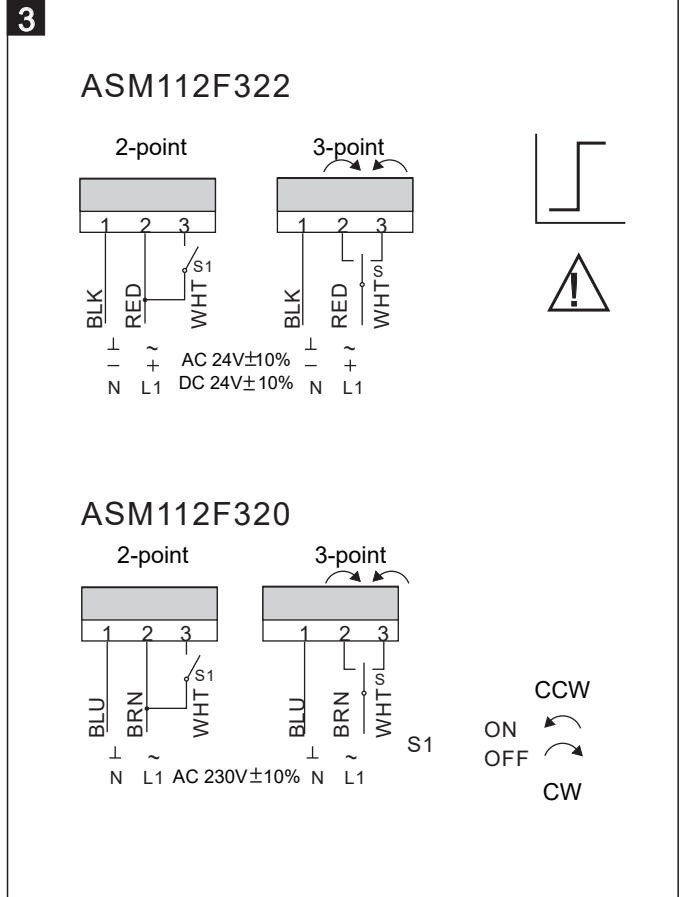
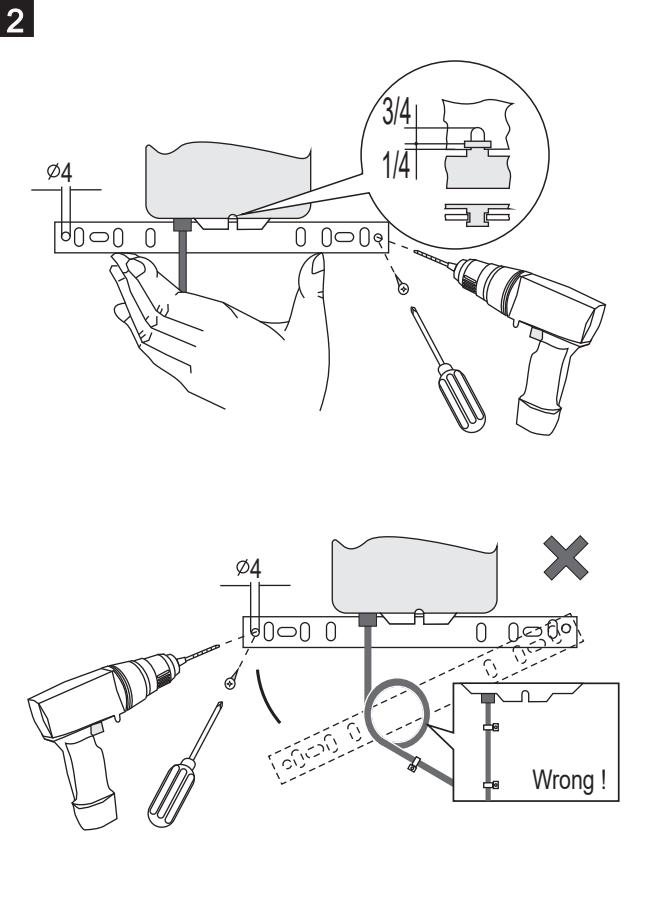
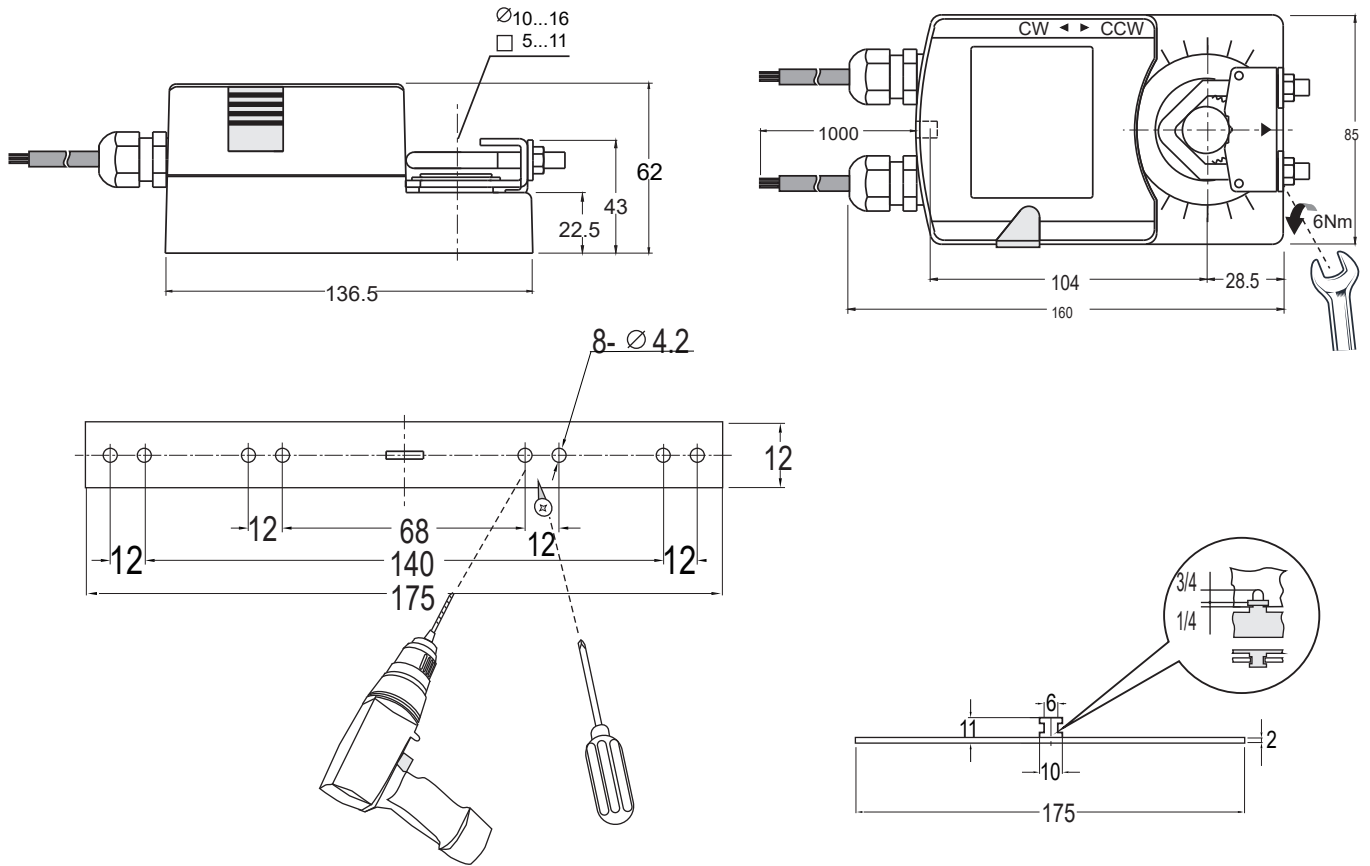
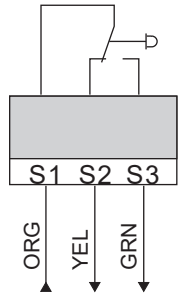


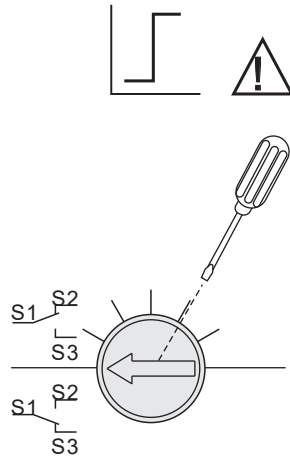
1 All dimensions are in millimeters (mm).



4 ASM112F32xA



2 (1.5) Amp 250 V



5

