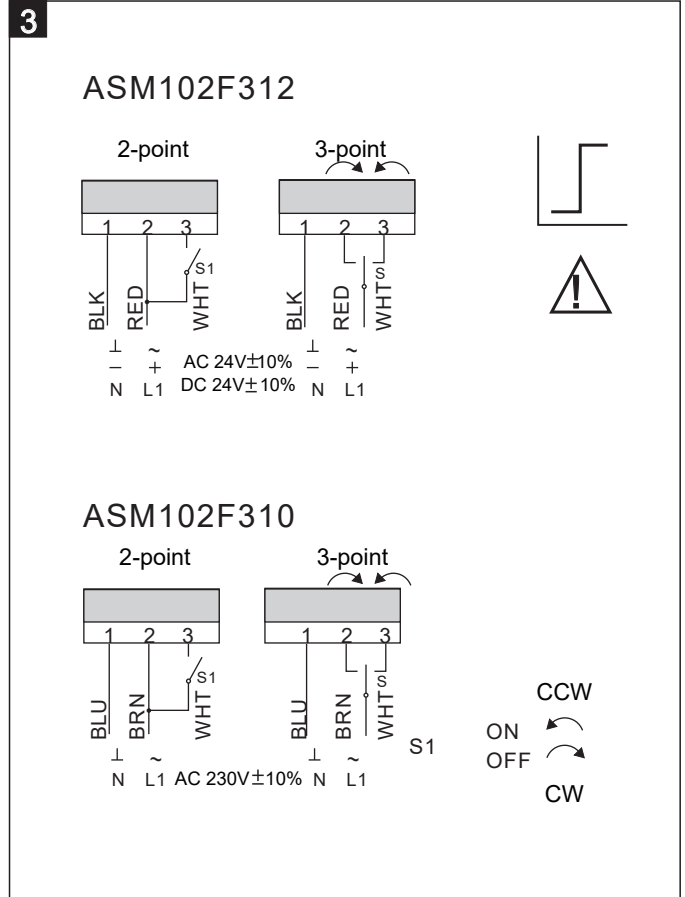
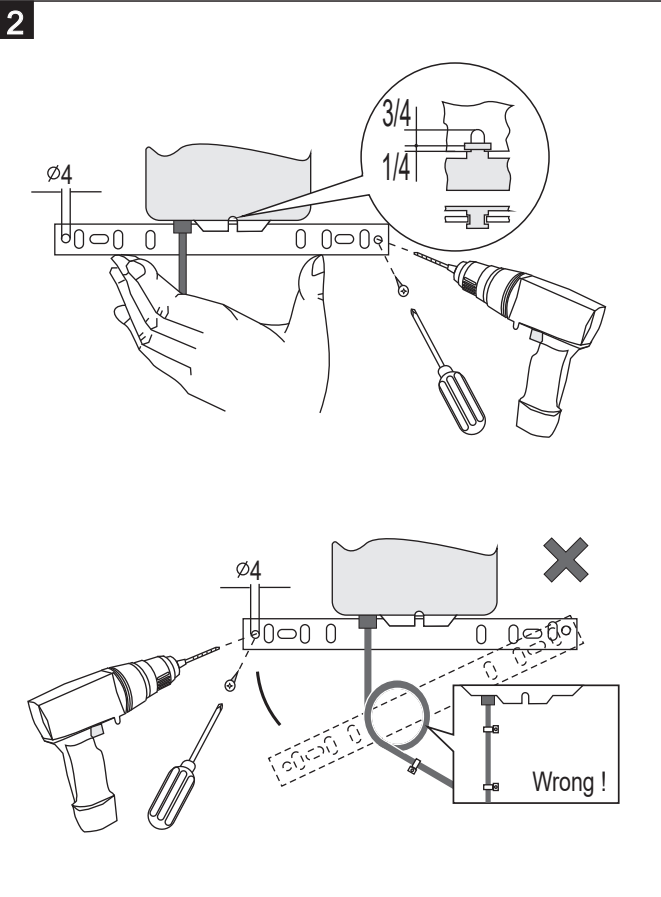
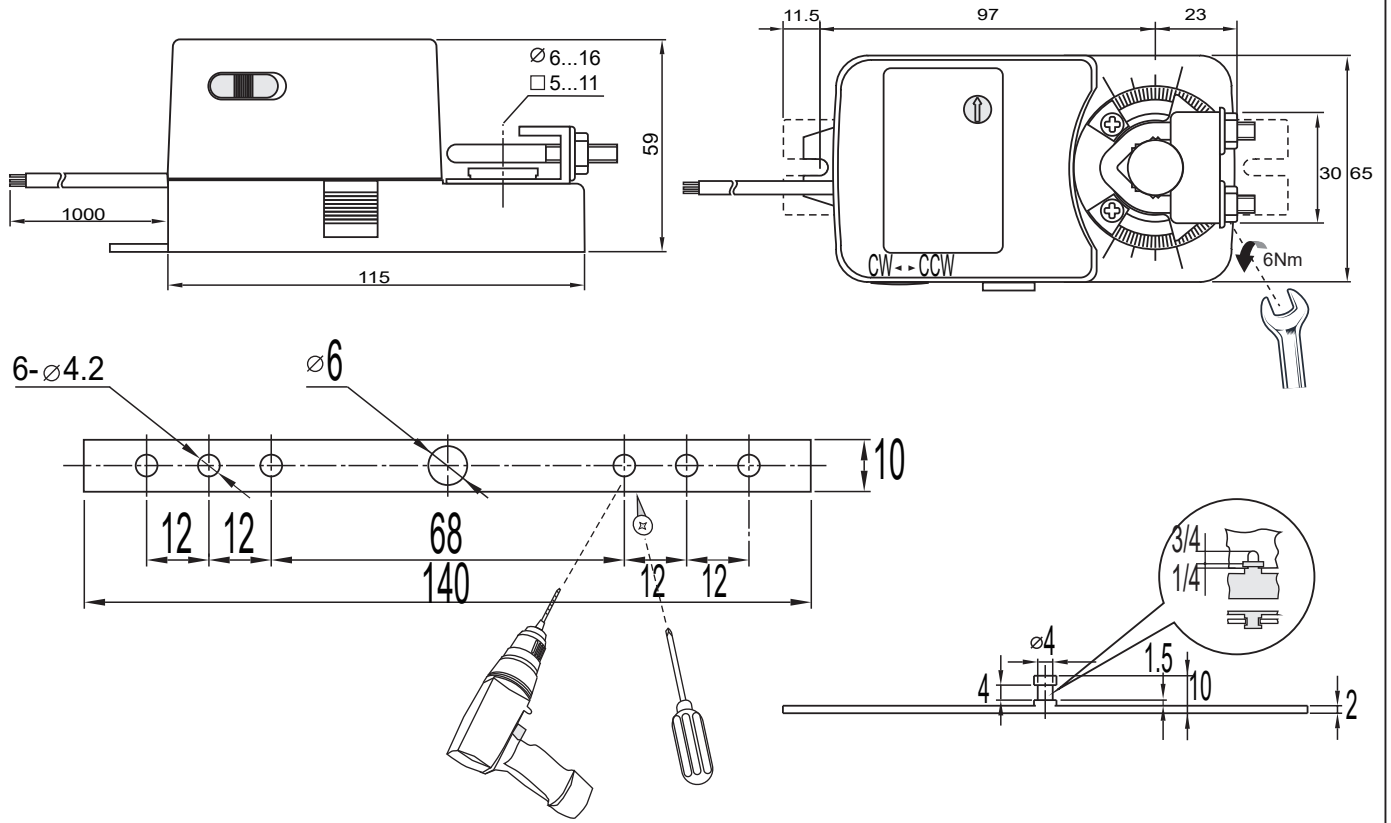
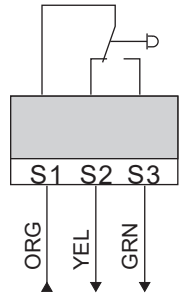


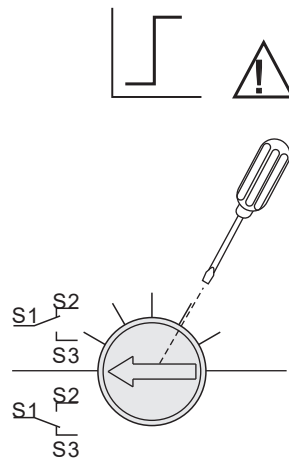
1 All dimensions are in millimeters (mm).



**4** ASM102F31xA



2 (1.5) Amp 250 V



**5**

