

Save expense and energy in the long term. For operation and service.

Remote control with novaWeb EYW 300 allows energy-optimised operation of an installation with minimal expenditure of time and human resources. On-site interventions can be cut to a minimum thanks to early detection of potential irregularities. This applies to day-to-day operation as well as facility management, and for maintenance and servicing too. The low-cost solution with novaWeb EYW 300 is an exceptionally worthwhile investment for new installations being planned, as well as for existing installations.

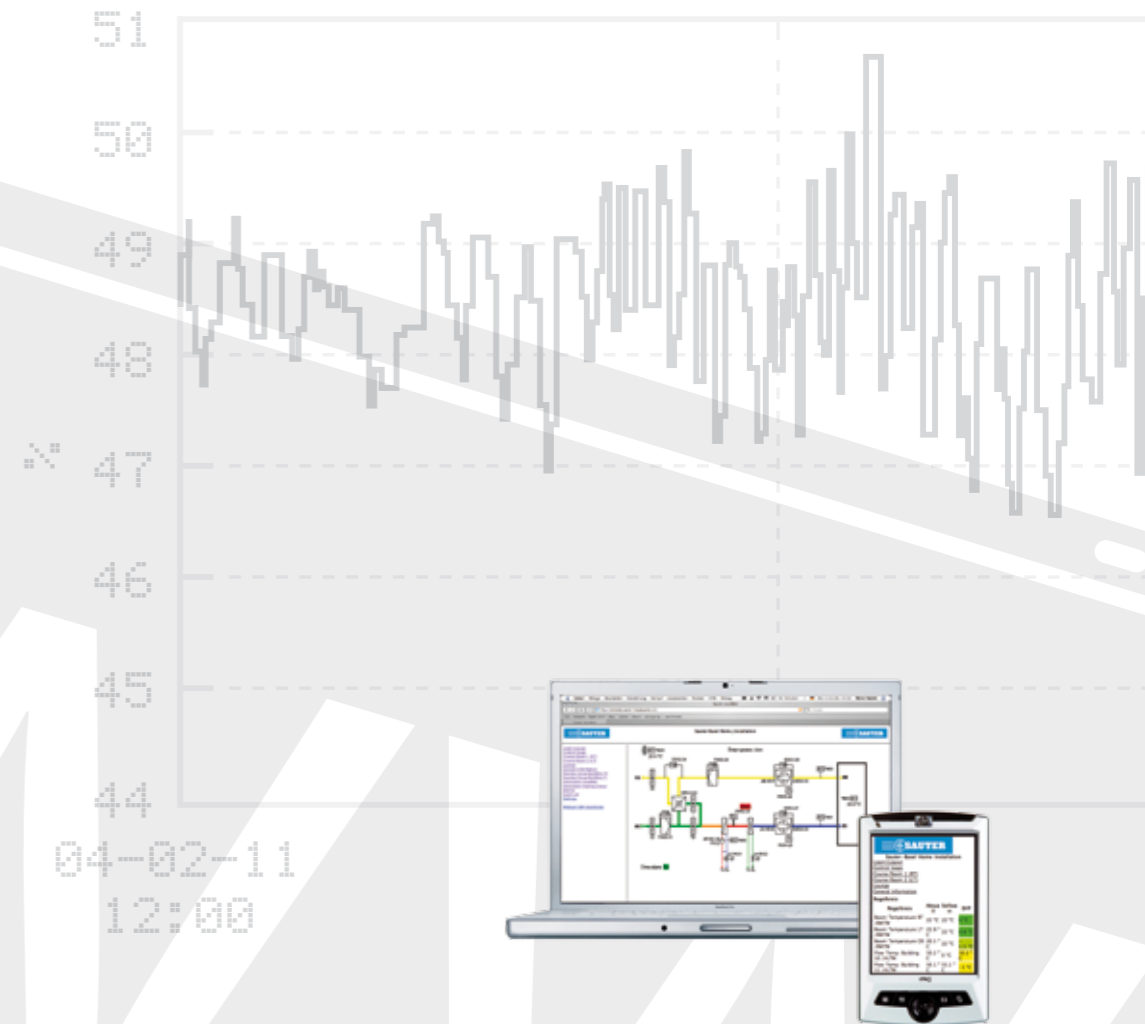
See for yourself by accessing our demonstration installation as a guest (no password needed): embweb.sauter-headquarter.ch

Login novaWeb v2.3.2

Benutzername	<input type="text" value="Schmidt"/>
Benutzerlevel	<input type="text" value="Gast"/>
Passwort	<input type="password"/>
<input type="button" value="Login"/> <input type="button" value="Reset"/>	



novaWeb EYW 300 from Sauter.
The flexible web solution for remote control
– for existing installations too.





Intelligent controllers from the EY3600 system family, such as automation stations and intelligent unitary controllers, can be connected to novaWeb via novaNet.

Scheduled alarm and status information

Alarm and reporting information can be forwarded to various recipients at certain times, sorted according to urgency levels. Historical data are automatically recorded in an hourly, daily, weekly and yearly grid; they are forwarded via e-mail or shown on screen according to the schedule.

Dynamised plant schematics

As well as automatic display of the installation in list form at the time of commissioning, a plant schematic can be generated at any time, stored in novaWeb and dynamised in relation to the values displayed.

Simple upgrade for existing installations

The EYW 300 can be connected to existing installations via an EYZ 291 router, using simple 'plug and play'. There is no need to change the FBD in this case – only the type of connection (analogue modem, ISDN modem, ADSL router or Ethernet) for the novaWeb has to be configured. After switching on, the EYW 300 scans the connected novaNet and portrays the installation appropriately after polling all the automation stations.

Operate your installation anytime, anywhere.

novaWeb EYW 300 opens up new horizons for remote access to properties.

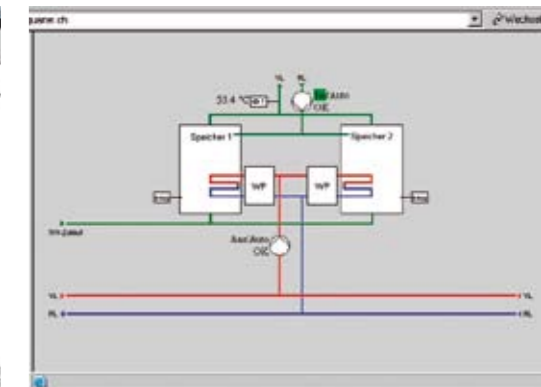
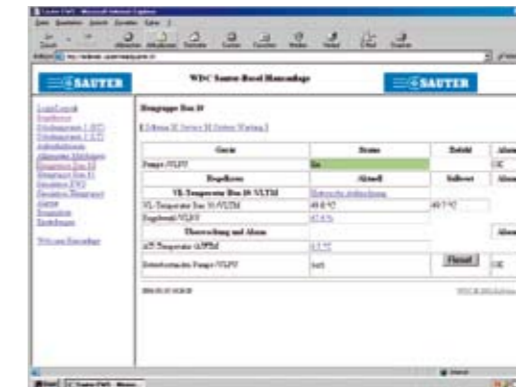
Existing installations – for example, those with no management level until now – can also be equipped for remote web operation at little cost ('plug & play').

novaWeb EYW 300 is also ideal for properties with several tenants or sub-tenants or for properties with restricted access.

Modern IT with client/server technology

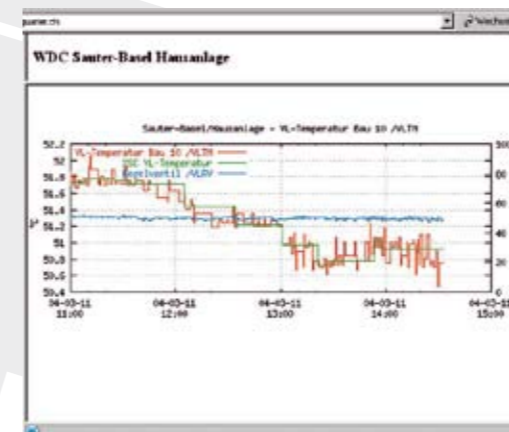
Modern, flexible technology means that novaWeb solutions are low in price and guaranteed for the future. Access to novaWeb is possible via browser from any PC or simple client such as a PDA or smartphone. The integrated firewall, combined with the four password levels (guest, user, service, maintenance) for different access options ensures excellent protection for the installation.

The plant schematic shows the switchable units with current operating and alarm information, plus information on control loops and other data points. With the appropriate access authorisation, switching commands can be sent and setpoint/positioning values can be changed.



The key benefits of novaWeb EYW 300:-

- Simple 'plug & play' connection to existing installations with automatic portrayal
- Control loop display and alarm overview at a glance thanks to colour identification of exceptional statuses
- Scheduled transmission of alarm and status information
- Plant schematics can be dynamised
- Analysis of the installation using automatic transmission of process information via e-mail
- Remote parameterisable switching programme with calendar functions for de-activation and special programmes
- Integrated firewall



Click on 'Historical record' to show the time progression for the control loop data.

WDC Sauter-Basel Hausanlage

Regelkreis	AlteWert	NeueWert	Entf
Exaktregler BT 00/07M	20.2 °C	22.2 °C	OK
Exaktregler LT 00/07M	22.2 °C	22.2 °C	OK
Exaktregler Adhokal 00/07M	22.2 °C	22.2 °C	OK
VL-Temperatur Bus 10 VLTM	40.0 °C	40.0 °C	OK
VL-Temperatur Bus 11 VLTM	40.0 °C	40.0 °C	OK
Umschalt an A2-W/kan	70	70	OK
Alt. Subvent Exaktregler	23.2 °C	23.2 °C	OK
VL-Temperatur Dreibahn VLTM	40.0 °C	40.0 °C	OK

The control loop display in list form gives information about all current data.

WDC Sauter-Basel Hausanlage

Zeitfchf

Profil	Ein	Aus	Mo	Di	Mi	Do	Fr	Sa	So	A
1	0730	1700	<input checked="" type="checkbox"/>	<input checked="" type="checkbox"/>	<input checked="" type="checkbox"/>	<input checked="" type="checkbox"/>	<input checked="" type="checkbox"/>	<input type="checkbox"/>	<input type="checkbox"/>	<input type="checkbox"/>
2	0730	1400	<input type="checkbox"/>	<input type="checkbox"/>	<input type="checkbox"/>	<input type="checkbox"/>	<input type="checkbox"/>	<input checked="" type="checkbox"/>	<input type="checkbox"/>	<input type="checkbox"/>
3	0730	2100	<input type="checkbox"/>	<input type="checkbox"/>	<input type="checkbox"/>	<input type="checkbox"/>	<input type="checkbox"/>	<input type="checkbox"/>	<input checked="" type="checkbox"/>	<input type="checkbox"/>
4			<input type="checkbox"/>	<input type="checkbox"/>	<input type="checkbox"/>	<input type="checkbox"/>	<input type="checkbox"/>	<input type="checkbox"/>	<input type="checkbox"/>	<input type="checkbox"/>

Tage und Intervalle für "Inaktiv" und "Ausnahmen"

Inaktiv: 04C701-04C731,041224

Ausnahme (A): 04C225-04C327

Buttons: [Aendern] [Reset]

The time programme controls the output of switching commands and the distribution of e-mail messages to various recipients.